

Produkt Information *PI*

Nr.: 16
Datum: 09.08.17
Produktgruppe: 8
Verteiler: 4
Autor: Aloys Quatmann

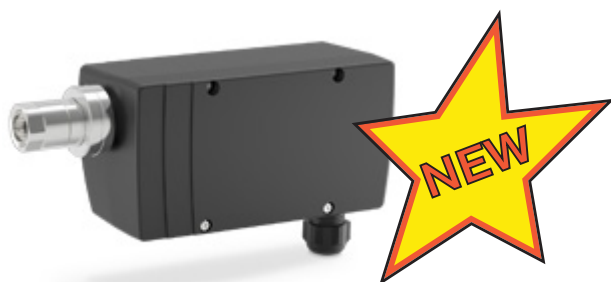
UVD to be discontinued

UVD1

Production of UVD 1 is discontinued. No more orders can be delivered.



UVD 1



UVC 1

Since the beginning of the year the UV flame monitor UVC 1 is available. This replaces the UV sensor for continuous operation UVD 1, which we are **no** longer supplying. Compared to the UVD 1, the new UV flame detector delivers the following benefits:

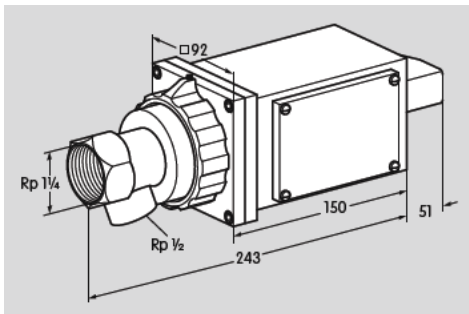
- Perfect connection to Kromschöder burner control units with an interface which both detects the flame signal and also supplies the signal strength.
 - Replaces the expensive additional evaluation of the flame signal strength using 4–20 mA.
- No separate 24 V DC voltage supply required.
- Same mechanical interface as the UVS 10.
- Easy replacement of the UV tube without exposure to electrically live areas.
- Better price-performance ratio

The Technical Information bulletin and operating instructions for the UV flame detector can be found in our Docuthek document library.

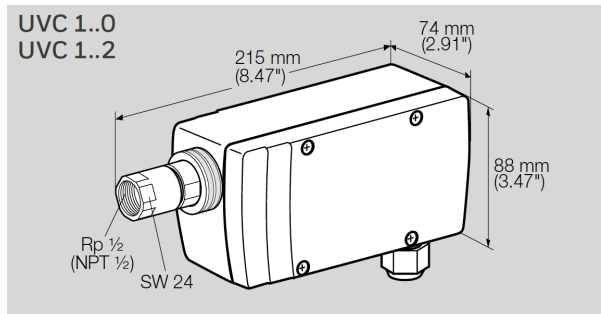
Using the UVC 1 to replace the UVD 1

If you replace the UVD 1 with order No. 84320100, please note the following:

- The pipework must be adjusted to the dimensions of the UVC 1.

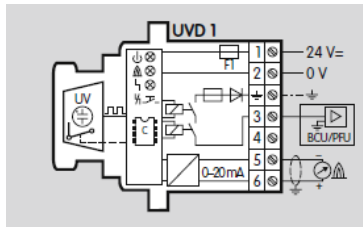


UVD 1

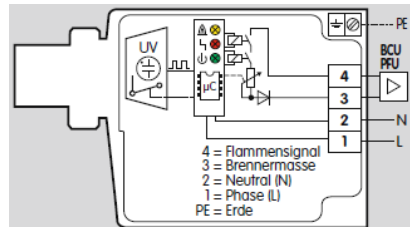


UVC 1

- The wiring must be adjusted to the UVC.1.



Wiring UVD 1



Wiring UVC 1

- ➔ For this purpose, replace the 24 V DC voltage supply with a voltage supply which uses mains voltage

If you need a replacement for the UVD 1 a UVC 1 with Rp 1/2 female thread, cooling air connection and with lens, we recommend the UVC 1L1G1A with order number 8 4320 300.

UVD 2

Production of UVD 2 is discontinued. There are still approx. 35 devices (as of 01 August 2017) available.

Replacement for UVD 2

A replacement for the UVD 2 with order No. 84320200 is **not** available.