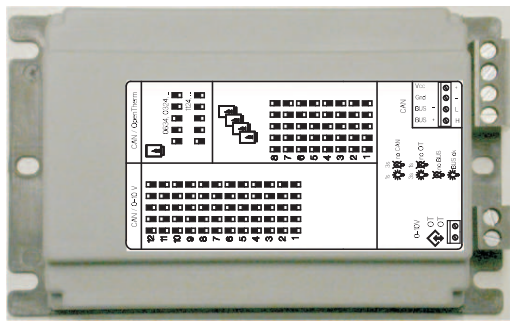


CoCo OT / CAN



Vcc +
Gnd -
Bus L
Bus + H

ADR

OT

Signal

Signal:

BUS ok

no BUS

3s 1s no OT

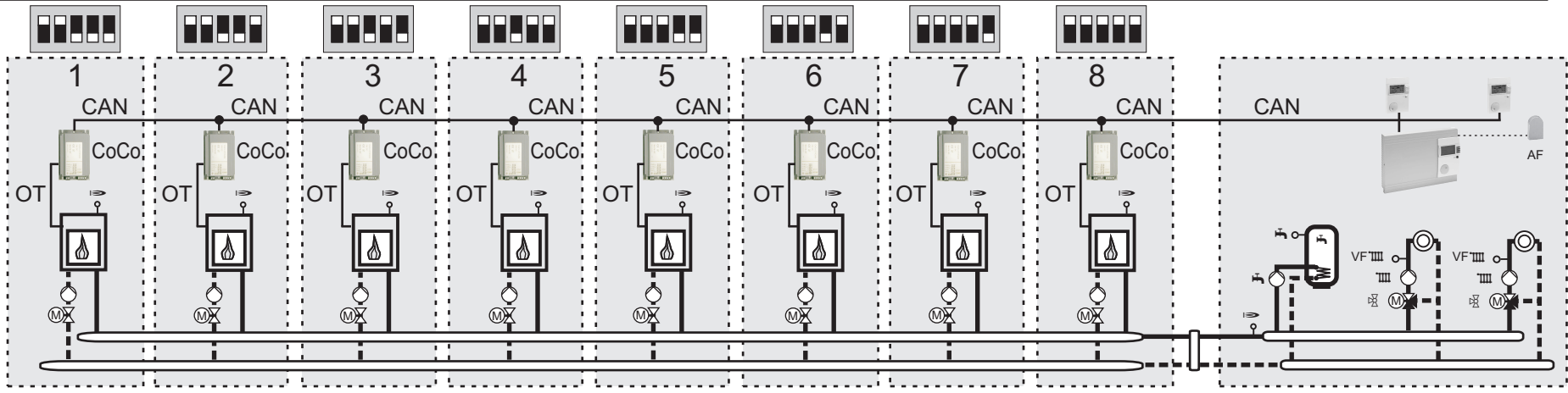
1s 3s no CAN



ADR:

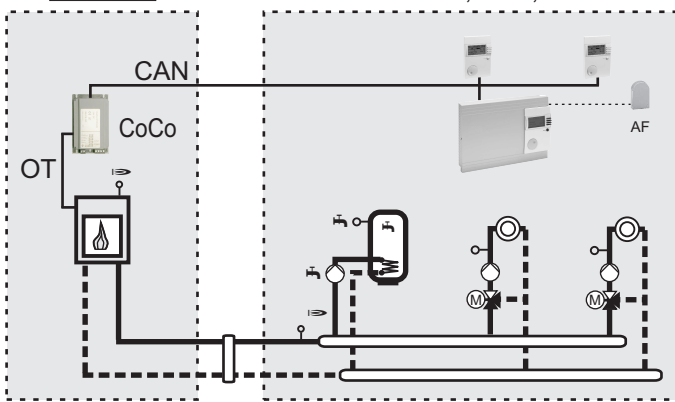
ON OFF

Cascade



A) DHW on CAN

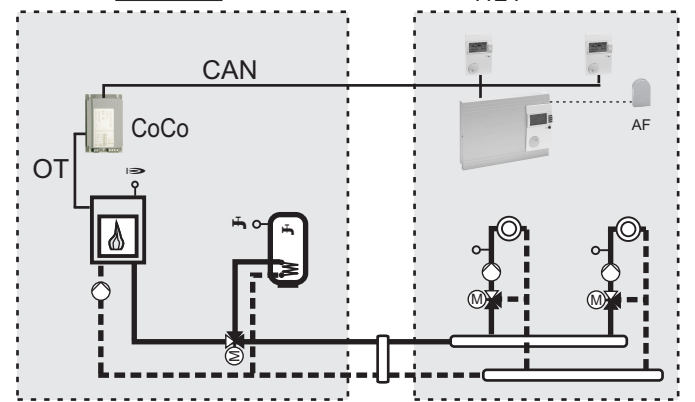
0634, 0324, ...



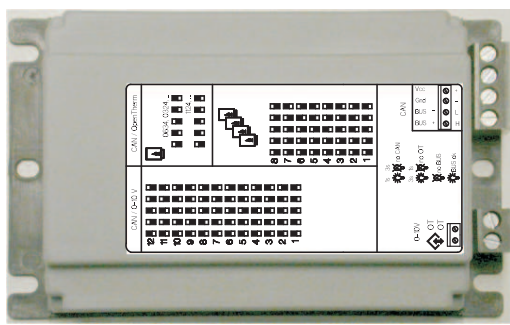
Single Boiler

B) Only mixing circuits on CAN

1124



CoCo 0-10V / CAN



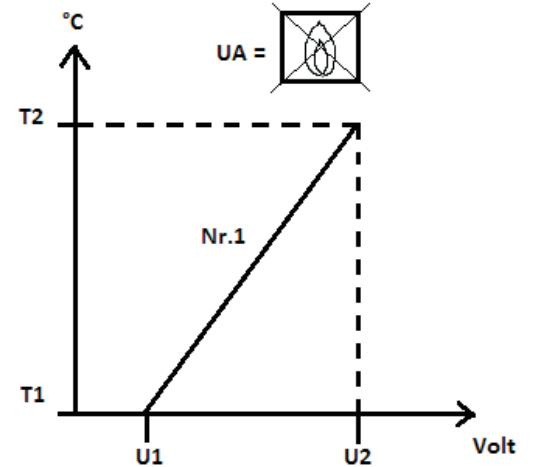
Vcc +
Gnd -
Bus L
Bus + H

0-10V

0-10V

- 12
- 11
- 10
- 9
- 8
- 7
- 6
- 5
- 4
- 3
- 2
- 1

Nr.	U1	U2	T1	T2	UA
12	4,0	0,1	20	90	5,0
11	4,0	0,1	38	53	5,0
10	4,0	0,1	38	73	5,0
9	4,0	0,1	38	87	5,0
8	4,0	0,1	30	87	5,0
7	4,0	0,1	20	55	5,0
6	4,0	0,1	20	75	5,0
5	4,0	0,1	20	85	5,0
4	2,5	0,3	38	45	5,0
3	2,5	0,3	38	75	5,0
2	2,5	0,3	38	80	5,0
1	2,0	10,0	0	90	2,0



0634, 0324, ...

