

Ignition Transformer

DATA SHEET

Edition 06.19

Version 1



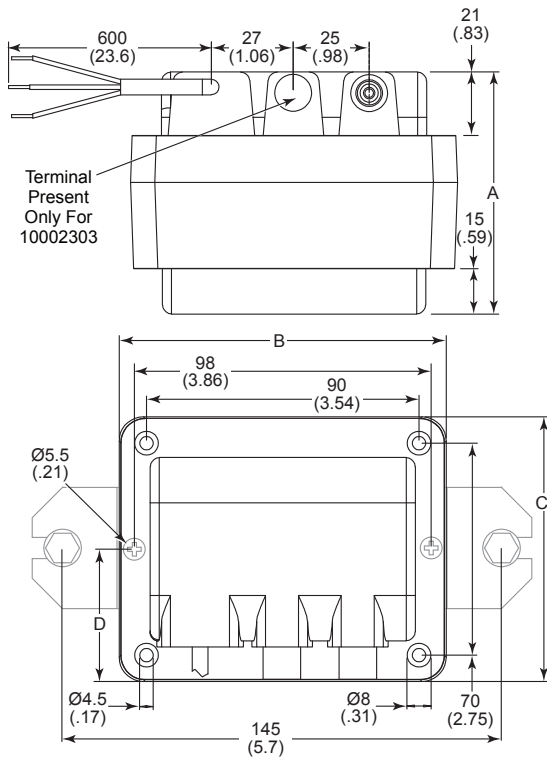
- Safer, more durable insulation
- Excellent mechanical properties
- Superior electronics
- High temperature rating
- Effective heat dissipation
- Compact design
- Light weight
- Durable sealed construction suitable for outdoors when used with cable assembly
- Reliable operation
- 100% final tested

Ignition Transformer with Bracket Kit and Ignition Cable
(See page 2, Accessories)

Parameter	22967	10002303	10002304	10005352	10012234
Primary Supply Voltage, VAC	120	120	120	220 - 240	110 - 120
Frequency, Hz	60	60	60	50 - 60	50 - 60
Primary Current, A	1.6	3.5	1.5	0.4	1.5
Power, VA	192	420	180	92	165
Secondary Voltage RMS [±10%], VAC	7000	2 x 5000	6000	6000	6000
Secondary Current RMS [±10%], mA	23	35	23	10	23
Secondary Ground Termination	End Pole	Center Tap	End Pole	End Pole	End Pole
Service Duty,% on time / 4 minutes	25%	25%	100%	100%	100%
Approvals	CE, UL (USA and Canada)	CE, UL (USA and Canada)	CE, UL (USA and Canada)	CE	CE
Weight, kg (lbs)	1.9 (4.2)	2.8 (6.2)	2.8 (6.2)	1.9 (4.2)	2.8 (6.2)
Surface Material	Araldite Epoxy Resin				
Ambient Temperature	90°C (194°F) Maximum -40°C (-40°F) Minimum				

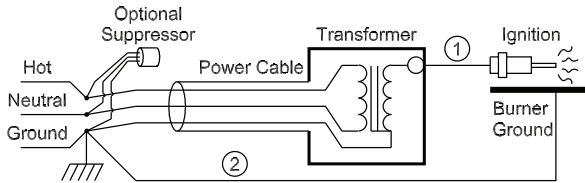
CE Standards: EN 61558/2/3, VDE 0550, SEV BA9, 73/23/EEC Low Voltage Directive, and meets 89/336/EEC Electromagnetic compatibility, emission standards EN 50081-1 and EN 55014-1/A2 when used with suppression wire and filter PN 10005353. Underwriters Laboratories listed as a recognized component, cURus, for the Canadian and US markets.

Dimensions mm (inches)



Part Number	Dimensions mm (inches)			
	A	B	C	D
22967	65 (2.56)	106 (4.17)	86 (3.38)	43 (1.69)
10002303	80 (3.15)	108 (4.25)	87.4 (3.44)	43.7 (1.72)
10002304	80 (3.15)	108 (4.25)	87.4 (3.44)	43.7 (1.72)
10005352	65 (2.56)	106 (4.17)	86 (3.38)	43 (1.69)
10012234	80 (3.15)	108 (4.25)	87.4 (3.44)	43.7 (1.72)

Wiring



Power Supply	Transformer	Suppressor
Hot (110-120 / 220-240 V)	Black or Brown	Black
Neutral (0 V)	White or Blue	Black
Ground (0 V)	Green-Yellow	White

NOTES: 1. Keep as short as possible and keep away from other wiring.
2. Insure good conductance and short path from burner ground to the transformer ground wire.

For More Information

The Honeywell Thermal Solutions family of products includes Honeywell Combustion Safety, Eclipse, Exothermics, Hauck, Kromschröder and Maxon. To learn more about our products, visit ThermalSolutions.honeywell.com or contact your Honeywell Sales Engineer.

Honeywell Process Solutions

Honeywell Thermal Solutions (HTS)
Eclipse Inc.
1665 Elmwood Rd.
Rockford, IL 61103
United States
T +1 815 877 3031
www.ThermalSolutions.honeywell.com

Accessories

Part No.	Description	
20580	Kit, Bracket, Ignition Transformer, 40mm x 40mm. Consisting of: (2) Galvanized Brackets, (2) 5M x 50mm Screws, (2) 5M x 4mm Nuts	
10013387	Cable, Ignition, 300mm Long (11.8"), Complete Cable Assembly, 7mm Dia. Suppression Wire Rated 20KV, 4mm Dia. Straight Terminal Connector w/ Cap, 6.3mm Dia. Right Angle Terminal Connector w/ Cover, -50°C (-58°F) to 180°C (356°F)	
20581	Cable, Ignition, 1M Long (39.4"), Complete Cable Assembly, 7mm Dia. Suppression Wire Rated 20KV, 4mm Dia. Straight Terminal Connector w/ Cap, 6.3mm Dia. Right Angle Terminal Connector w/ Cover, -50°C (-58°F) to 180°C (356°F)	
20603	Cable, Ignition, 3M Long (9.8"), Complete Cable Assembly, 7mm Dia. Suppression Wire Rated 20KV, 4mm Dia. Straight Terminal Connector w/ Cap, 6.3mm Dia. Right Angle Terminal Connector w/ Cover, -50°C (-58°F) to 180°C (356°F)	
10005353	Suppressor, Emi Disturbance Suppression Filter for Ignition Transformer Primary	
10005354-10FT 10005354-100FT	Wire, Ignition, Emi-Suppression, -50 to 180°C, 5.2 mm Dia., Breakdown Voltage 20 kV, Iso-Spec 3808/1 Clause 5.2.3 10 ft or 100 ft coils	
10002352-4PC	Connector, Wire, 90° with Spring, for Spark Electrode, 6.3mm Dia., for 4.7-5.2-7mm Dia. Cable, Package of 4	
10002353-4PC	Cap, Terminal, Wire, 90°, Rubber, for Spark Electrode, for 4.7-5.2-7mm Dia. Cable, Package of 4, use with PN 10002352-4PC	
10002349-10PC	Connector, Wire, Straight, Output for Ignition Transformer, Phosphor Bronze, 4mm Dia., for 4.7mm Dia. Cable (32756-50ft, 32756-100 ft) Package of 10	
10002351-10PC	Connector, Wire, Straight, Output for Ignition Transformer, Phosphor Bronze, 4 mm Dia., for 7mm Dia. Cable (10005354-10ft, 10005354-100ft, 35443-50ft, 35443-100ft) Package of 10	
10002354-4PC	Cap, Terminal, Wire, Straight, Rubber, L=35mm, Output for Ignition Transformer, for 4.7- 5.2-7mm Dia. Cable, Package of 4, use with PN 10002349-10PC or 10002351-10PC	

© U.S. Registered Trademark
© 2019 Honeywell International Inc.
32-00252-01 Edition 06.19
Printed in United States

Honeywell