

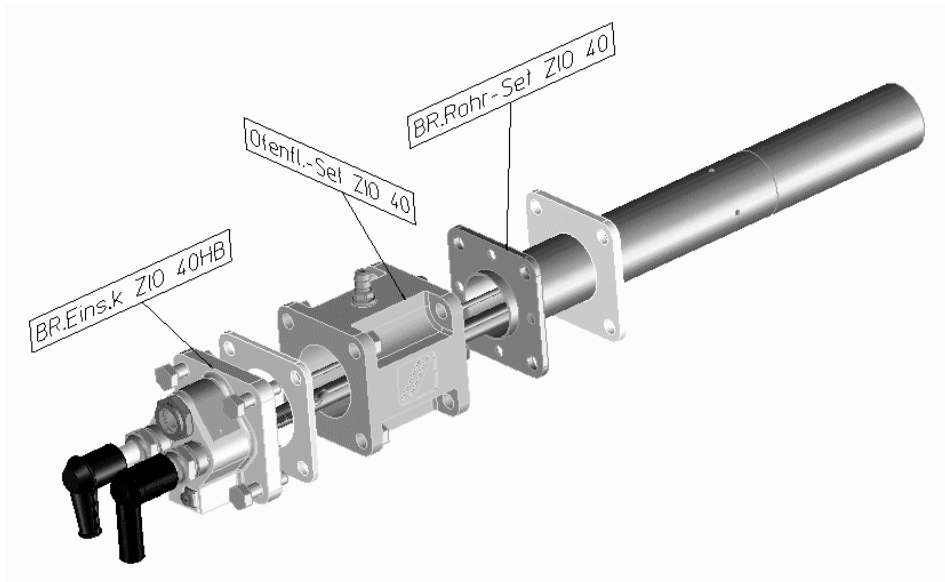
# Product Information Bulletin *PI*

No.: 16  
 Date: 5 September 2007  
 Product group: 7  
 Distribution list: 4  
 Author: Lars Schröder / EB

## ZIO 40 split design and furnace flange as aluminium milled part

**New: from date of order 01/10/07 split design, construction stage B**

The furnace flange housing ZIO 40 is being converted from a welded part to an aluminium milled part. The burner tube set is – like with the BIO/ZIO burners – bolted to the furnace flange. The construction stage is changed as a result of the split design from A to B.

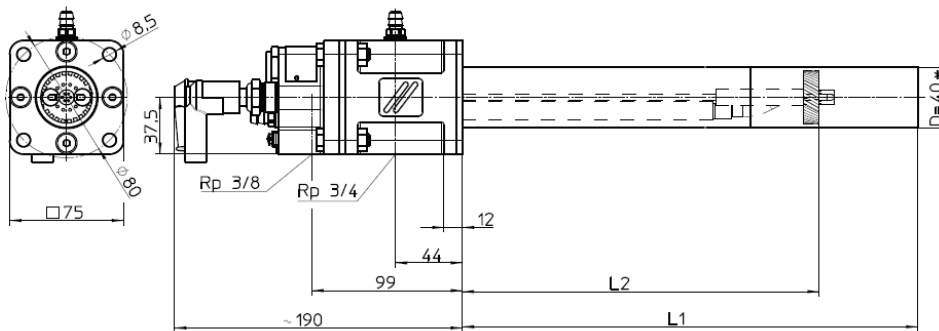


The burner insert is identical and interchangeable.

Combustion properties, operating characteristic diagrams and pressure curves stay the same, the designation on the burner diagrams will be updated (construction stage B).

Furnace flange and mounting gasket have a square shape (75 x 75 mm).  
The installation dimensions are identical, the connection dimension for the air supply (Rp 3/4) has been reduced from 45 to 37.5 mm.

⇒ **In the case of conversions ensure that appropriate assembly material is available!**



Dimension sheet, spare parts list and spare parts drawing will be revised.

The changes will be carried out on a price-neutral basis and the identification numbers will remain the same.